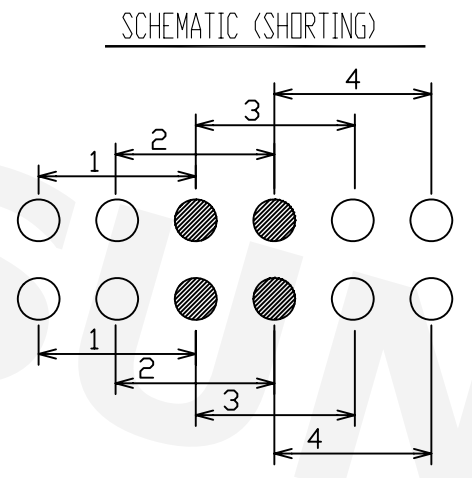
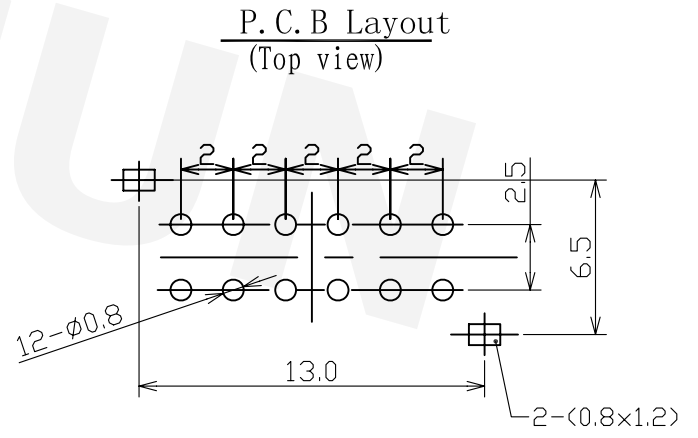
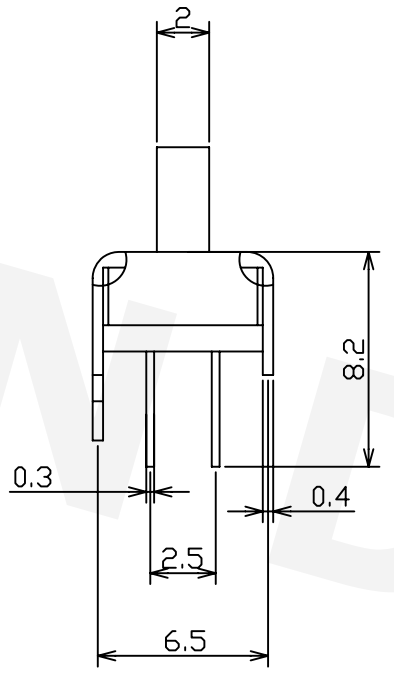
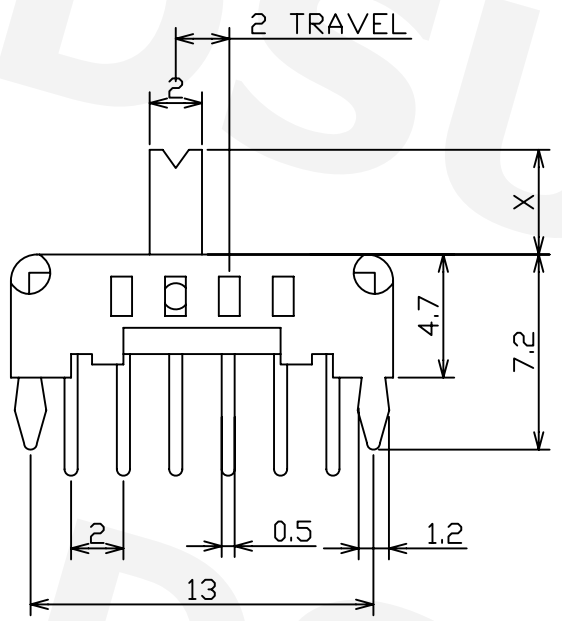
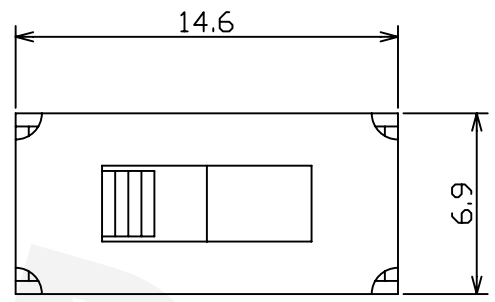



REV	LTR	DESCRIPTION	DATE	REVISER	APPD

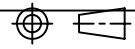
A
B
C
D
E
F
G
H

A
B
C
D
E
F
G
H



 东莞市鼎尚电子有限公司
DONGGUAN DSUN ELECTRONICS CO.,LTD.

4	CONTACT FOOT	12	BRASS	Ag-Plating
3	TERMAINAL BASE	1	PF	
2	KNOB	1	POM	
1	FRAME	1	IRON	Ni-Plating
NO.	DESCRIPTION	QTY	MATERIAL	PLATING

UNIT:MM	TYPE: VERTICAL SLIDE SWITCH			
	MODEL NO: SS-24D02			
PAPER NO: A4	TOLERANCE	ANGLES	SCALE	VER
PAGE 1 OF 1	±0.3	±2°	FULL	03
DESIGNER BY: KING LI	CHECK BY: XIAOMING HU	APPROVED BY: RONG zhon		